
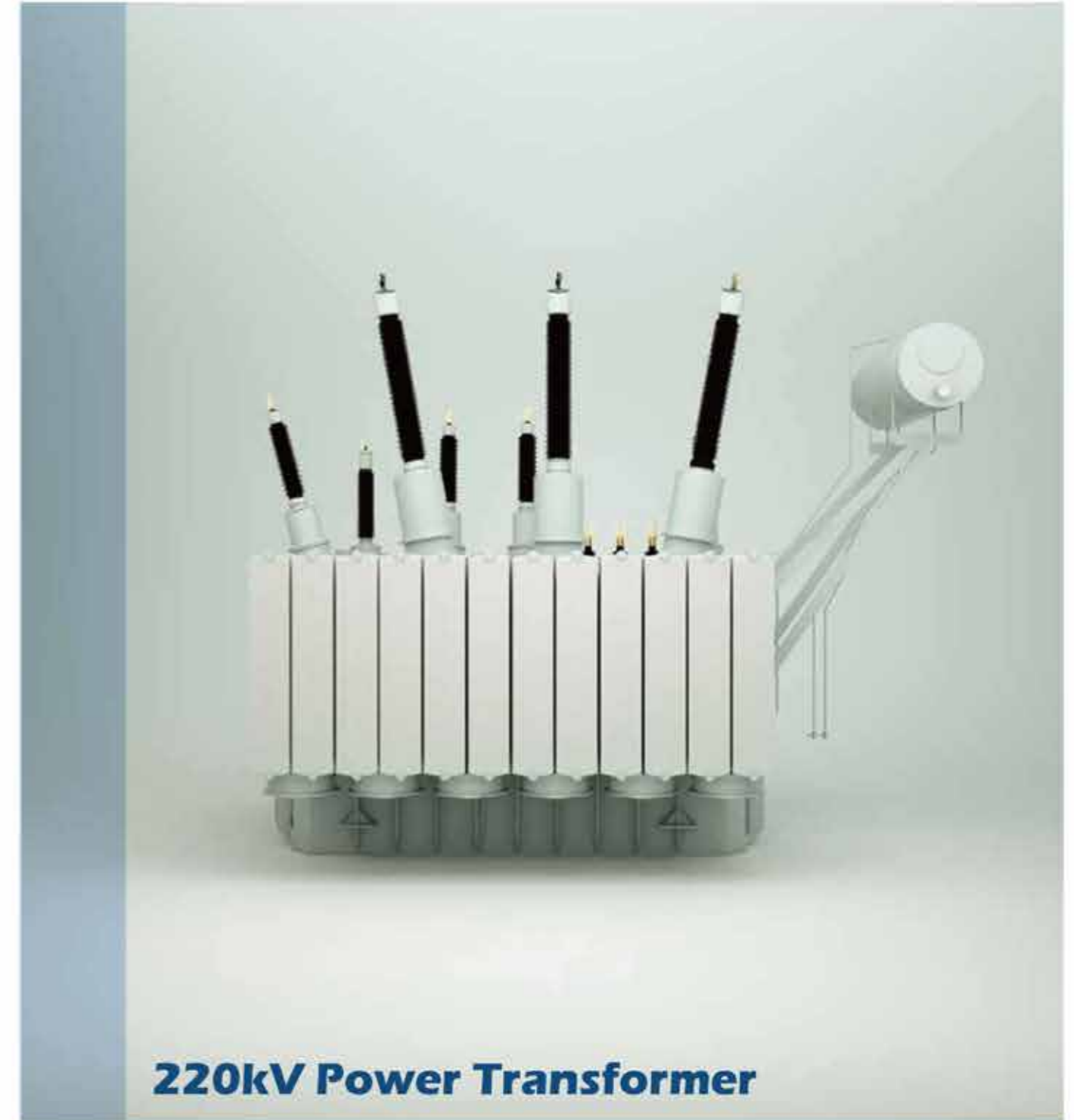




Address: 3F4F, CITIC Investment Building, Yuhuatai District, Nanjing City, Jiangsu Province, China  
 Whatsapp: +86 18061639839  
 WeChat: +86 18061639839  
 E-mail: info@ceegtransformer.com  
 Website: www.ceegtransformer.com  
 www.ceegelectric.com

 All data on this catalogue printed by CEEG are used for illuminating the relative information of this series products, CEEG have any right to do any improving for it whenever the technology should be upgraded or the production craftwork should be renewed possibly, or do some necessary correction because of the literal error and inaccurate information of this manual without any prior notice. When you make your orders, please keep in touch with relative personnel in order to confirm if your information is right.



## 220kV Power Transformer

DuPont NOMEX Paper Insulation System

Low Loss Low Noise Reliability

[www.ceegtransformer.com](http://www.ceegtransformer.com)



Delivering premium power to the world



China Electric Equipment (Jiangsu) Transformer Manufacture Co., Ltd. is authorized by DuPont to use the trademark, Nomex® is a trademark or registered trademark of DuPont Corporation and its affiliates.

Company Introduction	01
Performance Characteristics	02
Temperature Control Technology	03
Model Description	04
Technical Advantages	05
Technical Parameter	08

Since its establishment, CEEG has always been adhering to the core values of "vision, innovation, responsibility", and has exported high-quality power to the world. With a focus of 30 years on manufacturing and has formed three pillar industries of power transformers, new energy, and system solutions.

Located in Yangzhong City, Jiangsu Province, China Electric Equipment (Jiangsu) Transformer Manufacture Co.,Ltd is a national high-tech enterprise under China Electric Equipment Group (CEEG), integrating R&D, production, sales and service, specializing in the production of power transmission and distribution equipment.

The company's main products include SG10 open ventilated dry type transformer, SC cast resin dry type transformer, S13 oil immersed transformer, 220kV traction transformer and power transformer, 110kV power transformer, mine explosion-proof transformer, mine explosion-proof switch, high and low voltage switch cabinet, frequency converter, amorphous alloy transformer, substation, wind power transformer, marine transformer, etc. It is committed to providing power, electronics, hydropower, nuclear power, wind power, coal mine, communications, construction, petroleum,



chemical, aviation, transportation, railway and other industries to provide world-class power transmission and distribution products and services.

In recent years, CEEG has participated in many national key projects, such as Beijing Olympic project, Nanjing South Railway Station, Shenyang National Games, Nanjing Youth Olympic Games, Shanghai World Expo project, manned space project, Beijing South Railway Station, Shanghai Yangtze River Tunnel and bridge, Shenzhen Ling'ao nuclear power project, etc. its products are exported to Europe, Australia, Southeast Asia, Middle East, Africa and other parts of the world.

Oil transformers mainly include: ordinary insulation system transformer and high temperature resistance insulation system transformer. The product voltage covers 10kV-220kV, and the product series covers distribution transformer, 110-220kV power transformer, 110-220kV electrified railway traction transformer, electrified railway AT power supply autotransformer, rectifier transformer, wind power transformer, photovoltaic transformer, test transformer, amorphous alloy transformer, etc.



### Flexible design to meet the needs of different users

First-class product quality in China

The first-class R & D team in the industry ensures that the performance indicators of products meet or exceed the national standards, introduces scientific management mode, and standardizes the operation of each process to ensure the excellent quality of each product.

Flexible design to meet the needs of different users

According to the actual needs of customers, the product structure can be designed flexibly, and all kinds of accessories can be selected according to the requirements of users, so as to meet the personalized needs of different customers.



### Safe, no partial discharge, high efficiency and energy saving

1. Seven-stage temperature control technology
2. Low loss: adopt a special design scheme, the no-load loss is 20% lower than the national standard, load loss is 5% lower than the national standard.
3. Low noise: the noise is 3-5 dB lower than the national standard
4. No partial discharge: factory test is less than 40pc
5. Anti short circuit: pass the sudden short circuit test of the national transformer testing center.

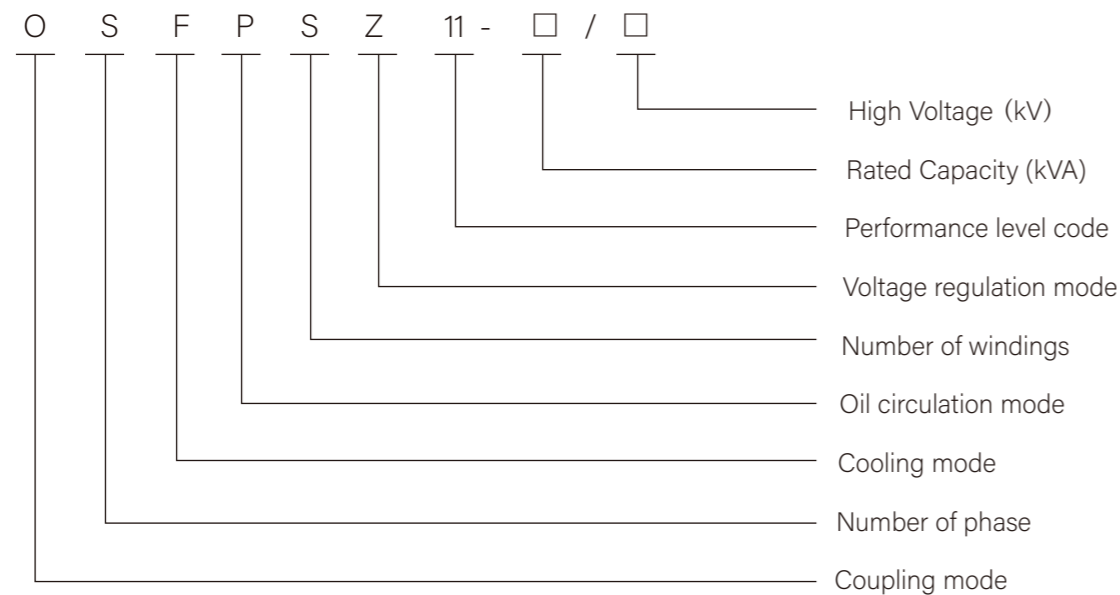
Scope of application: widely used in large and medium-sized city power grid and large thermal power plants, industrial and mining enterprises.

# 7 Seven-stage Temperature Control Technology

The structure of high temperature liquid immersed transformer adopts the mature structure and technology of traditional transformer as far as possible, which retains the advantages of reliability, good processability and economy.

The biggest difference between this kind of transformer and the traditional transformer is that the actual situation of the temperature field in the transformer is reasonably considered in the design, and the insulation materials with different temperature resistance grades are reasonably used according to the temperature distribution to form a hybrid insulation system. With the help of transformer temperature field simulation technology, the temperature distribution of transformer (mainly winding and its nearby) can be determined more accurately. According to different temperature range, different grades of insulation materials are selected to give full play to the high temperature resistance of materials, and at the same time, it has good economy. The actual maximum oil temperature of the liquid immersed transformer is set at 95 °C, which ensures that the transformer has good safety, thermal performance margin and long life expectancy. For the temperature design of the whole transformer, we put forward and implement the concept of "seven-stage temperature control technology" as the design principle, that is, from the highest temperature winding hot spot to the external low temperature area, we gradually divide it into five levels, and consider the short circuit and overload conditions to form a seven level thermal state to control the temperature:

1. Insulation temperature control technology: different insulation materials are selected for winding and active part according to the temperature of different parts. Control winding hot spot temperature.
2. Temperature control technology of liquid flow circuit: it is a technology to determine and control the temperature of liquid flow in various parts by comprehensively considering the relationship between liquid flow field and temperature field. Control the liquid temperature of boundary layer and top layer near the hot spot of winding.
3. Overload temperature control technology: temperature rise control of various parts of transformer under overload condition. The temperature distribution under overload condition is different from that under rated load, so the temperature rise under overload condition should be paid attention to during design procedure.
4. Iron core temperature control technology: temperature control of insulating parts in contact with iron core.
5. Sealed temperature control technology: the influence and control with temperature change of thermal expansion, deformation, strength of fully sealed oil tank, so as to ensure normal operation of transformer within its allowable temperature range.
6. Component temperature control technology: corresponding level of insulation materials are selected for components according to the temperature of the location. such as gasket.
7. Short circuit temperature control technology: when the transformer is in short circuit, the value of short circuit current flowing through the winding is very large, but the time is short. Generally, it is calculated according to the insulation process. Heat accumulation and heat dissipation effect should be considered in the condition of multiple short circuit reclosing. Generally speaking, because Nomex<sup>®</sup> paper has good high temperature resistance, mechanical strength, dielectric coefficient and dielectric loss with the temperature change very little even in the state of multiple short circuit reclosing, it will not cause mechanical damage and electrical failure due to temperature rise, and also will not lose the life of insulation materials.



## DuPont Nomex Insulation System



World recognized high quality electrical insulating materials

Chemical - there is no weak C-H bond, with good chemical stability

Heat resistance: long term stable operation at 220 °C; Short term operation at 350 °C; At 250 °C, it will not melt, flow and support combustion; No toxic or corrosive gas will be released at 750 °C

Safety, environmental protection - no toxic reaction to people and animals; he smoke concentration is low and no harmful gas is produced during burning.

As the main drafter of GB/Z1094.14-2011 "power transformers Part 14: design and application of liquid immersed transformers with high temperature insulating materials", CEEG has successfully developed a series of products with high overload, high reliability, high safety and long life based on the Nomex insulation system of DuPont and the seven level temperature control technology of core. Each performance has reached the industry leading and advanced level.



# Technical Advantages



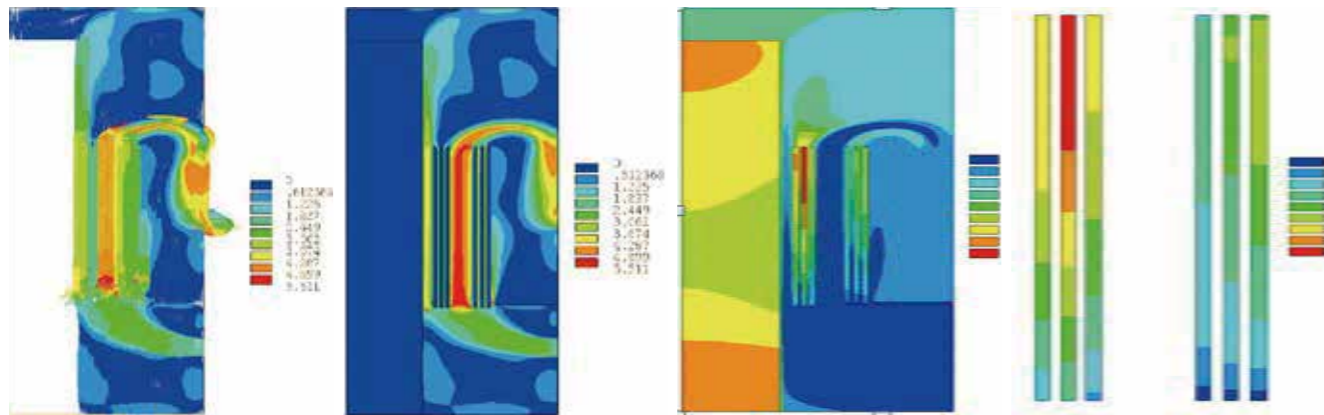
## R & D Team

CEEG has established a strong technology R & D team, it has post doctoral workstation, Jiangsu Electric Power Transformation Equipment Engineering Technology Research Center, Jiangsu graduate workstation, Jiangsu technology center and other technology R & D platforms, it is also in cooperation with the Institute of Electrical Engineering of Chinese Academy of Sciences, Southeast University, Nanjing University of Aeronautics and Astronautics, Jiangsu University, Jiangsu University, Jiangsu University, etc China University of mining and technology and other well-known scientific research institutions and universities jointly to carry out a series of technology research and development and innovation.



## Cloud R&D Platform

It integrates the functions of transformer electromagnetic optimization design, parametric drawing, performance analysis and structure optimization, automatic drawing, etc. to realize the sharing of transformer design resources, search, modification and version control of various data information, etc.



## Smart operation and maintenance platform

By collecting the key data of temperature, current, voltage, vibration and harmonic of power grid, online power quality analysis and fault alarm can be realized, and can be installed on the mobile terminal.



# Technical Advantages



## Key equipments and process layout of transformer



## Transformer Test Station

Invest 50 million yuan to build a first-class high-voltage test hall in the industry.



## Transformer workshop



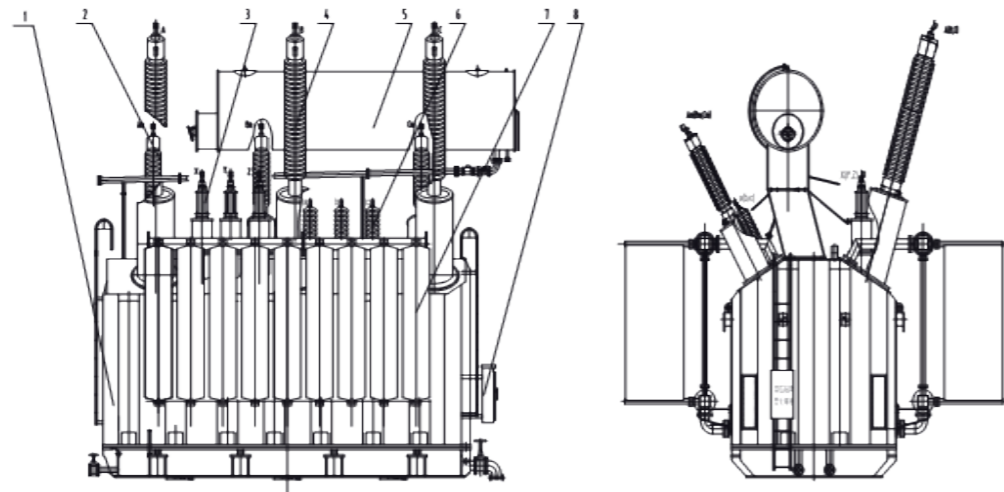


S11-220kV 31500kVA-240000kVA three phase three winding non excitation voltage regulating autotransformer

Rated Capacity (kVA)	Voltage combination and tapping range			Vector Group	Step up Combination			Step down Combination			Impedance(%)	
	HV (kV)	MV (kV)	LV (kV)		No load Loss (KW)	Load Loss (KW)	No load Current (%)	No load Loss (KW)	Load Loss (KW)	No load Current (%)	Step Up	Step Down
31500	220±2×2.5% 230±2×2.5% 242±2×2.5%	115 121	6.6	YNa0d11	20	111	0.45	17	94	0.4	HV-MV 12-14 HV-LV 8-12 MV-LV 14-18	HV-MV 8-10 HV-LV 28-34 MV-LV 18-24
40000			10.5		23	136	0.45	20	114	0.4		
50000			21		27	161	0.4	24	136	0.34		
63000			36		32	190	0.4	28	162	0.34		
90000			37		40	262	0.34	36	222	0.28		
120000			38.5		49	323	0.34	44	273	0.28		
150000			10.5		58	384	0.28	52	324	0.26		
180000			13.8		67	439	0.28	60	367	0.26		
240000			18		79	545	0.16	71	478	0.2		

Note:

1. The capacity allocation of step-up structure is (100 / 50 / 100)%, and that of step-down structure is (100 / 100 / 50)%;
2. The short circuit impedance in the table is 100% of the rated capacity;
3. Transformer with low voltage of 35kV can also be provided on request;
4. The non tapping structure is preferred, and taps can be set if required;
5. When the annual load rate of transformer is about 40%, the highest operation efficiency can be obtained by using the loss value in the table.



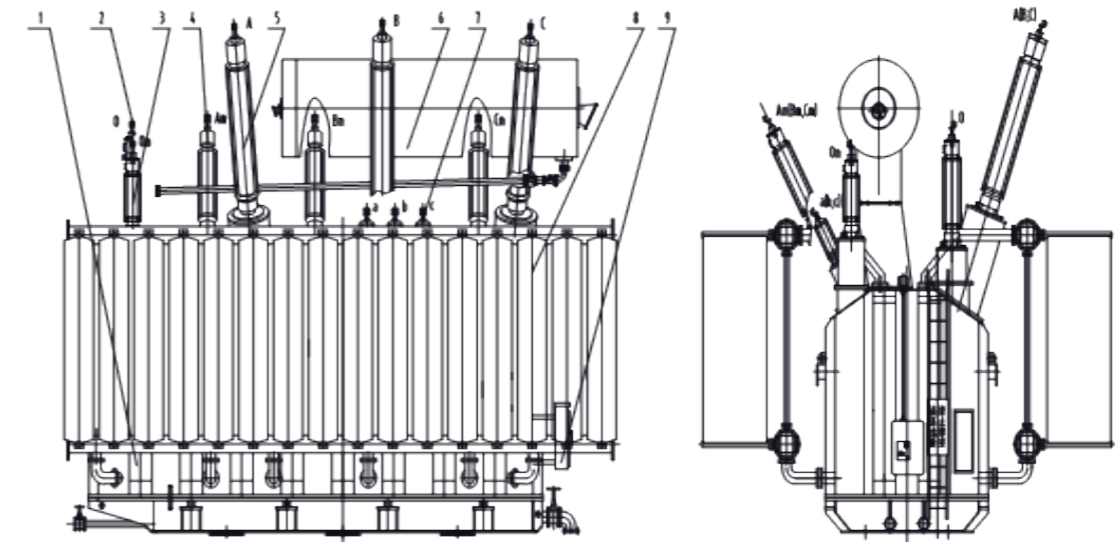
- |                       |                          |
|-----------------------|--------------------------|
| 1. Active Part        | 5. Oil Conservator       |
| 2. MV Bushing         | 6. LV Bushing            |
| 3. MV Neutral Bushing | 7. Radiator (air cooler) |
| 4. HV Bushing         | 8. Control Cabinet       |

SSZ20-220kV 31500kVA-240000kVA three phase three winding OLTC power transformer (secondary energy efficiency)

Rated Capacity (kVA)	Voltage combination and tapping range			Vector Group	No load Loss (KW)	Load Loss (KW)	No load Current (%)	Capacity Allocation (%)	Impedance(%)			
	HV (kV)	MV (kV)	LV (kV)									
31500	220± 8×1.25% 230± 8×1.25%	69 115 121	6.3	YNyn0d11	23.0	138	0.63	100/100/100	HV-MV 12~14 HV-LV 22~24 MV-LV 7~9			
40000			6.6							27.0	165	0.60
50000			10.5							31.0	194	0.60
63000			21							36.0	231	0.55
90000			21							47.0	300	0.44
120000			36							60.0	369	0.44
150000			37							70.0	438	0.39
180000			38.5							81.0	538	0.39
240000			10.5							100	667	0.35

Note:

1. The data listed in the table are applicable to step-down structure products, and step-up structure products can also be provided as required;
2. transformer with 35kV low voltage can also be provided according to requirements;
3. When the annual load rate of transformer is between 45% and 50%, the highest operation efficiency can be obtained by using the loss value in the table.



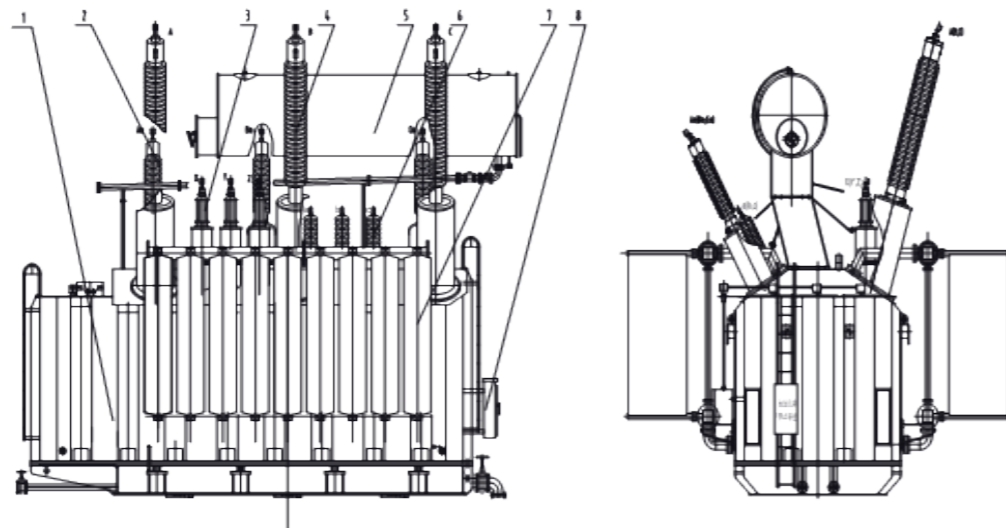
- |                       |                    |                          |
|-----------------------|--------------------|--------------------------|
| 1. Active Part        | 4. MV Bushing      | 7. LV Bushing            |
| 2. HV Neutral Bushing | 5. HV Bushing      | 8. Radiator (air cooler) |
| 3. MV Neutral Bushing | 6. Oil Conservator | 9. Control Cabinet       |

OSSZ20-220kV 31500kVA-240000kVA three phase three winding OLTC autotransformer (secondary energy efficiency)

Rated Capacity (kVA)	Voltage combination and tapping range			Vector Group	No load Loss (KW)	Load Loss (KW)	No load Current (%)	Capacity Allocation (%)	Impedance(%)
	HV (kV)	MV (kV)	LV (kV)						
31500	220 ± 8×1.25% 230 ± 8×1.25%	115 121	6.3	YNa0d11	13.0	92	0.44	100/100/50	HV-MV 8~11 HV-LV 28~34 MV-LV 18~24
40000			6.6						
50000			10.5						
63000			21						
90000			36						
120000			37						
150000			38.5						
180000			10.5						
240000			21						
			37						
			38.5						

Note:

1. The data listed in the table are applicable to the products with reduced pressure structure;
2. Transformer with 35kV low voltage can also be provided according to requirements;
3. When the annual load rate of transformer is between 40% and 45%, the highest operation efficiency can be obtained by using the loss value in the table.



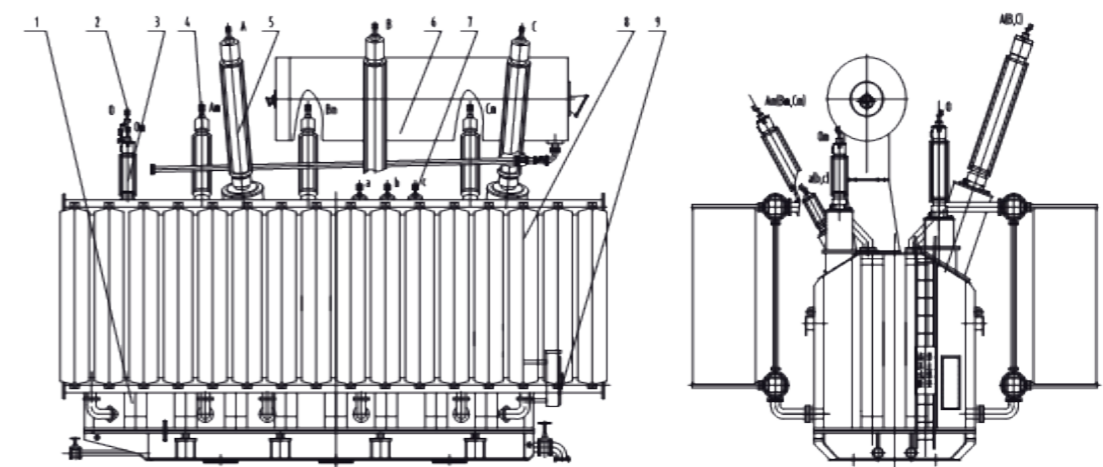
- |                       |                          |
|-----------------------|--------------------------|
| 1. Active Part        | 5. Oil Conservator       |
| 2. MV Bushing         | 6. LV Bushing            |
| 3. MV Neutral Bushing | 7. Radiator (air cooler) |
| 4. HV Bushing         | 8. Control Cabinet       |

SS20-220kV 31500kVA-300000kVA three phase three winding non excitation voltage regulating power transformer (secondary energy efficiency)

Rated Capacity (kVA)	Voltage combination and tapping range			Vector Group	No load Loss (KW)	Load Loss (KW)	No load Current (%)	Impedance(%)	
	HV (kV)	MV (kV)	LV (kV)					Step Up	Step Down
31500	220 ± 2* 2.5% 230 ± 2* 2.5% 242 ± 2* 2.5%	69 115 121	6.3	YNyn0d11	21.0	138	0.56	HV-MV 22~24	HV-MV 12~14
40000			6.6						
50000			10.5						
63000			21						
90000			36						
120000			37						
150000			38.5						
180000			10.5						
240000			13.8						
300000			21						
			36						
			37						
			38.5						

Note:

1. the capacity distribution of the load in the table is (100/100/100)%; The capacity distribution of the step up structure can be (100/50/100)%; The capacity distribution of the step-down structure can be (100/100/50)% or (100/50/100).
2. transformers with rated capacity less than 31500kva and other voltage combinations can also be provided as required;
3. transformers with low voltage of 35kV can also be provided;
4. the non tap structure is preferred. If required by operation, tap can be set;
5. when the average load rate of transformer is about 45%, the maximum operating efficiency can be obtained by using the loss value in the table.



- |                       |                    |                          |
|-----------------------|--------------------|--------------------------|
| 1. Active Part        | 4. MV Bushing      | 7. LV Bushing            |
| 2. HV Neutral Bushing | 5. HV Bushing      | 8. Radiator (air cooler) |
| 3. MV Neutral Bushing | 6. Oil Conservator | 9. Control Cabinet       |

# Technical Parameter

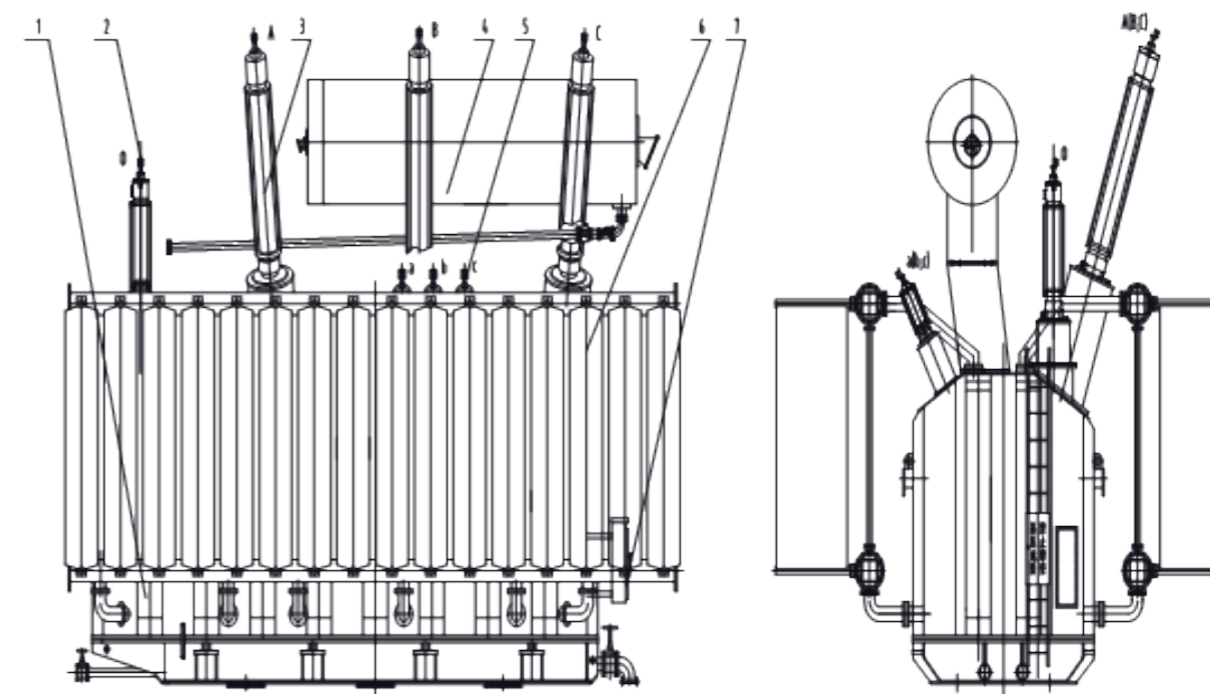
S20-220kV 31500kVA~420000kVA three phase double winding non excitation voltage regulating power transformer (secondary energy efficiency)

Rated Capacity (kVA)	Voltage combination and tapping range		Vector Group	No load Loss (KW)	Load Loss (KW)	No load Current (%)	Impedance(%)
	HV (kV)	LV (kV)					
31500	220±2×2.5% 242±2×2.5%	6.3 6.6 10.5	YNd11	18.0	115	0.56	12~14
40000				21.0	134	0.56	
50000				25.0	161	0.52	
63000		30.0		188	0.52		
75000		10.5 13.8		34.0	213	0.48	
90000				40.0	246	0.44	
120000				49.0	304	0.44	
150000		10.5 13.8 15.75		58.0	360	0.40	
160000				60.0	378	0.39	
180000				66.0	413	0.36	
240000		83.0		484	0.33		
300000		15.75 18 20		98.0	577	0.30	
360000				112	662	0.30	
370000				114	675	0.30	
400000				122	716	0.28	
400000				122	716	0.28	
420000				125	742	0.28	

Note:

1. Transformers with rated capacity less than 31500kVA and other voltage combinations can also be provided according to requirements;
2. transformer with low voltage of 35kV can also be provided according to requirements;
3. The non tapping structure is preferred, and taps can be set if required;
4. When the annual average load rate of transformer is between 45% and 50%, the highest operation efficiency can be obtained by using the loss value in the table.

# Technical Parameter



- 1. Active Part
- 2. HV Neutral Bushing
- 3. HV Bushing
- 4. Oil Conservator
- 5. LV Bushing
- 6. Radiator (air cooler)
- 7. Control Cabinet



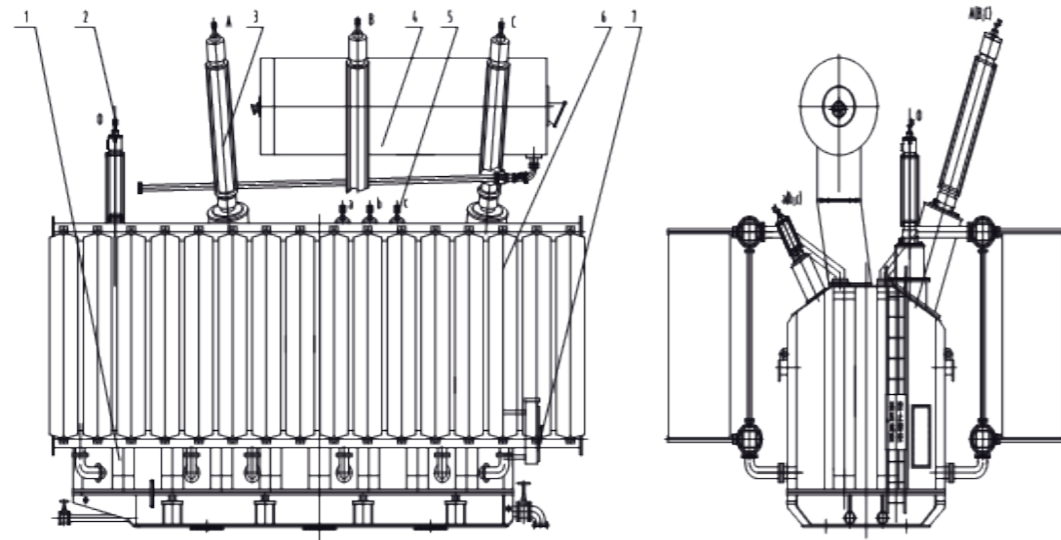
# Technical Parameter

S20-220kV 31500kVA~240000kVA three phase double winding low voltage of 66kV non excitation voltage regulating power transformer (secondary energy efficiency)

Rated Capacity (kVA)	Voltage combination and tapping range		Vector Group	No load Loss (KW)	Load Loss (KW)	No load Current (%)	Impedance(%)
	HV (kV)	LV (kV)					
31500	220 ± 2 × 2.5% 230 ± 2 × 2.5%	63 66 69	YNd11	20.0	129	0.71	12~14
40000				23.0	150	0.71	
50000				27.0	180	0.65	
63000				33.0	211	0.65	
90000				43.0	275	0.60	
120000				53.0	330	0.60	
150000				63.0	387	0.54	
180000				72.0	438	0.54	
240000				88.0	543	0.48	

Note:

1. The no-load tap structure is preferred, and the tap can be set if the operation requires;
2. When the annual average efficiency of transformer is between 45% and 50%, the highest operation efficiency can be obtained by using the loss value in the table.



- |                       |                          |
|-----------------------|--------------------------|
| 1. Active Part        | 5. LV Bushing            |
| 2. HV Neutral Bushing | 6. Radiator (air cooler) |
| 3. HV Bushing         | 7. Control Cabinet       |
| 4. Oil Conservator    |                          |

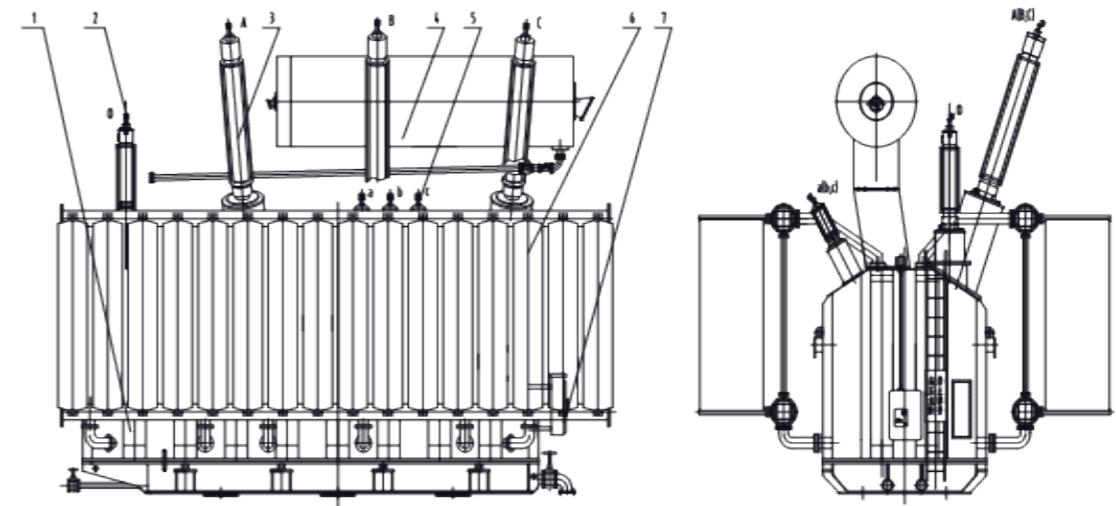
# Technical Parameter

SZ20-220kV 31500kVA~240000kVA three phase double winding OLTC power transformer (secondary energy efficiency)

Rated Capacity (kVA)	Voltage combination and tapping range		Vector Group	No load Loss (KW)	Load Loss (KW)	No load Current (%)	Impedance(%)
	HV (kV)	LV (kV)					
31500	220 ± 8 × 1.25% 230 ± 8 × 1.25%	6.3	YNd11	20.0	115	0.57	12~14
40000		6.6		23.0	134	0.57	
50000		10.5		28.0	161	0.53	
63000		21		33.0	188	0.53	
90000		36		42.0	246	0.45	
120000		37		51.0	304	0.45	
150000		38.5		60.0	360	0.41	
180000		10.5		70.0	413	0.38	
120000		21		53.0	303	0.45	
150000		36		62.0	355	0.43	
180000		37		73.0	406	0.38	
240000		38.5		91.0	504	0.30	
		66					
		69					

Note:

1. 35kV transformer with low voltage can also be provided according to requirements;
2. When the annual average load rate of transformer is about 50%, the highest operation efficiency can be obtained by using the loss value in the table.



- |                       |                          |
|-----------------------|--------------------------|
| 1. Active Part        | 5. LV Bushing            |
| 2. HV Neutral Bushing | 6. Radiator (air cooler) |
| 3. HV Bushing         | 7. Control Cabinet       |
| 4. Oil Conservator    |                          |

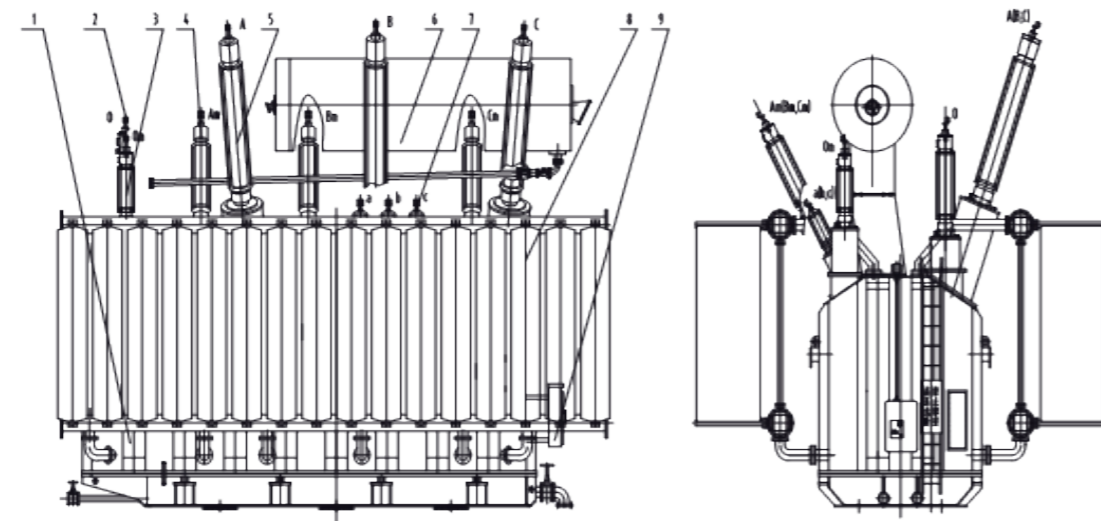
# Technical Parameter

SSZ22-220kV 31500kVA~240000kVA three phase three winding OLTC power transformer (primary energy efficiency)

Rated Capacity (kVA)	Voltage combination and tapping range			Vector Group	No load Loss (KW)	Load Loss (KW)	No load Current (%)	Capacity Allocation(%)	Impedance(%)
	HV (kV)	MV (kV)	LV (kV)						
31500	220 ± 8 × 1.25% 230 ± 8 × 1.25%	69 115 121	6.3	YNyn0d11	19.0	138	0.52	100/100/100 100/50/100 100/100/50	HV-MV 12~14 HV-LV 22~24 MV-LV 7~9
40000			6.6		23.0	165	0.51		
50000			10.5		26.0	194	0.5		
63000			21		31.0	231	0.47		
90000			36		40.0	300	0.37		
120000			37		51.0	369	0.37		
150000			38.5		59.0	438	0.33		
180000			37		68.0	538	0.33		
240000	38.5	85.0	667	0.3					

Note:

1. the data listed in the table are applicable to the products of pressure-reducing structure, and the booster structure products can also be provided as required;
2. transformers with low voltage of 35kV can also be provided as required;
3. when the annual load rate of transformer is between 45% and 50%, the maximum operating efficiency can be obtained by using the loss value in the table.



- |                       |                    |                          |
|-----------------------|--------------------|--------------------------|
| 1. Active Part        | 4. MV Bushing      | 7. LV Bushing            |
| 2. HV Neutral Bushing | 5. HV Bushing      | 8. Radiator (air cooler) |
| 3. MV Neutral Bushing | 6. Oil Conservator | 9. Control Cabinet       |

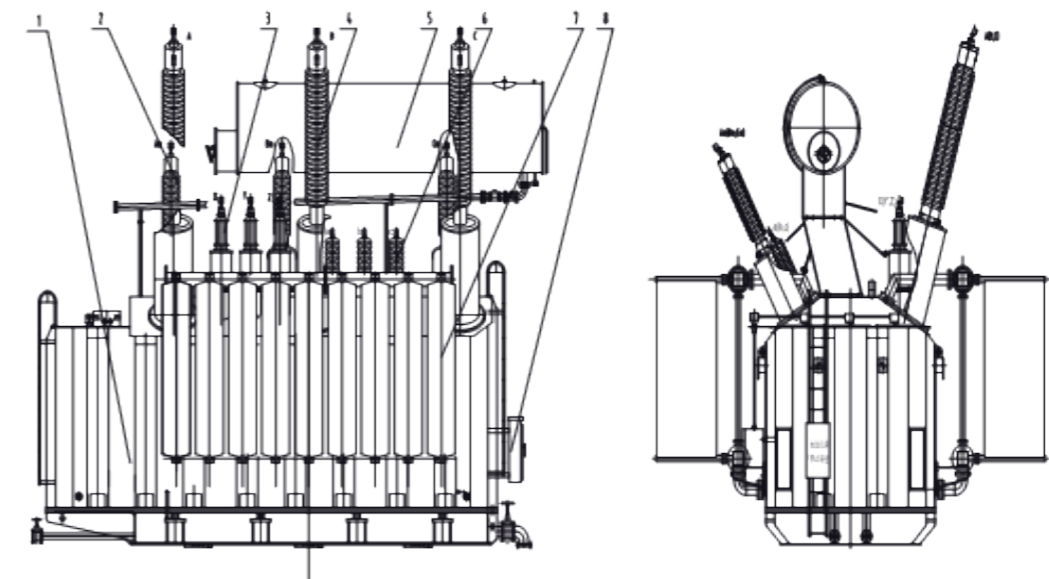
# Technical Parameter

OSSZ22-220kV 31500kVA~240000kVA three phase three winding OLTC autotransformer (primary energy efficiency)

Rated Capacity (kVA)	Voltage combination and tapping range			Vector Group	No load Loss (KW)	Load Loss (KW)	No load Current (%)	Capacity Allocation(%)	Impedance(%)
	HV (kV)	MV (kV)	LV (kV)						
31500	220 ± 8 8 × 1.25% 230 ± 8 8 × 1.25%	115 121	6.3	YNa0d11	11.0	92	0.37	100/100/50	HV-MV 8~11 HV-LV 28~34 MV-LV 18~24
40000			6.6		13.0	113	0.36		
50000			10.5		15.0	134	0.33		
63000			21		18.0	161	0.33		
90000			36		22.0	211	0.28		
120000			37		28.0	263	0.28		
150000			38.5		33.0	311	0.24		
180000			37		37.0	358	0.24		
240000	38.5	46.0	462	0.2					

Note:

1. The data listed in the table are applicable to the products with reduced pressure structure;
2. transformer with low voltage of 35kV can also be provided according to requirements;
3. When the annual load rate of transformer is between 40% and 45%, the highest operation efficiency can be obtained by using the loss value in the table.



- |                       |                          |
|-----------------------|--------------------------|
| 1. Active Part        | 5. Oil Conservator       |
| 2. MV Bushing         | 6. LV Bushing            |
| 3. MV Neutral Bushing | 7. Radiator (air cooler) |
| 4. HV Bushing         | 8. Control Cabinet       |

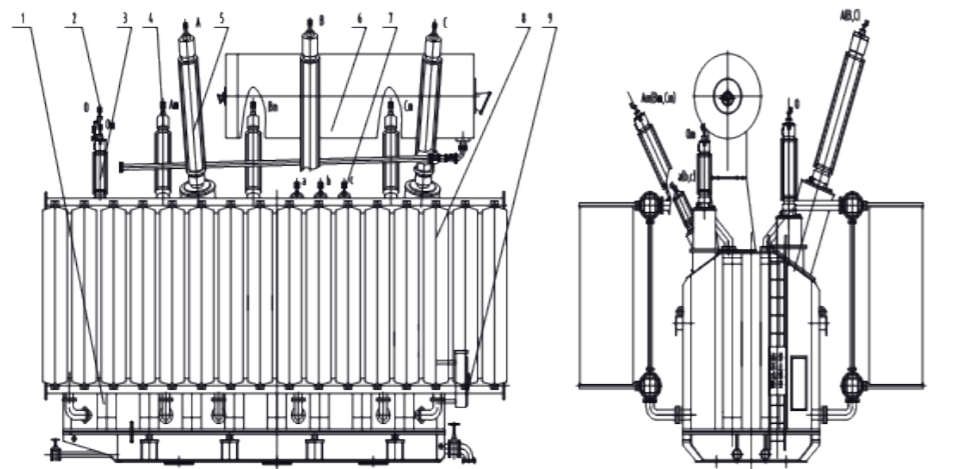
# Technical Parameter

SS22-220kV 31500kVA-300000kVA three phase three winding non excitation voltage regulating power transformer (primary energy efficiency)

Rated Capacity (kVA)	Voltage combination and tapping range			Vector Group	No load Loss (KW)	Load Loss (KW)	No load Current (%)	Impedance(%)	
	HV (kV)	MV (kV)	LV (kV)					Step Up	Step Down
31500	220 ± 2*2.5%	69	6.3	YNyn0d11	18.0	138	0.48	HV-MV	HV-MV
40000			6.6		21.0	165	0.42		
50000			10.5		24.0	194	0.36		
63000			21		29.0	231	0.38		
90000			36		37.0	300	0.33		
120000			37		46.0	369	0.33		
150000			38.5		55.0	438	0.28		
180000			10.5		62.0	500	0.28		
240000			13.8		72.0	616	0.22		
300000			21		91	726	0.20		
	2*2.5%	115	10.5						
	2*2.5%	121	13.8						
	2*2.5%		21						
	2*2.5%		36						
	2*2.5%		37						
	2*2.5%		38.5						

Note:

- The capacity distribution of the load in the table is (100 / 100 / 100)%; The capacity distribution of boost structure can be (100 / 50 / 100)%; The capacity allocation of Buck structure can be (100 / 100 / 50)% or (100 / 50 / 100)%.
- Transformers with rated capacity less than 31500kv. A and other voltage combinations can also be provided according to requirements;
- The transformer with low voltage of 35kV can also be provided;
- The non tapping structure is preferred, and taps can be set if required; 5. When the annual average load rate of transformer is about 45%, the highest operation efficiency can be obtained by using the loss value in the table.



- Active Part
- HV Neutral Bushing
- MV Neutral Bushing
- MV Bushing
- HV Bushing
- Oil Conservator
- LV Bushing
- Radiator (air cooler)
- Control Cabinet

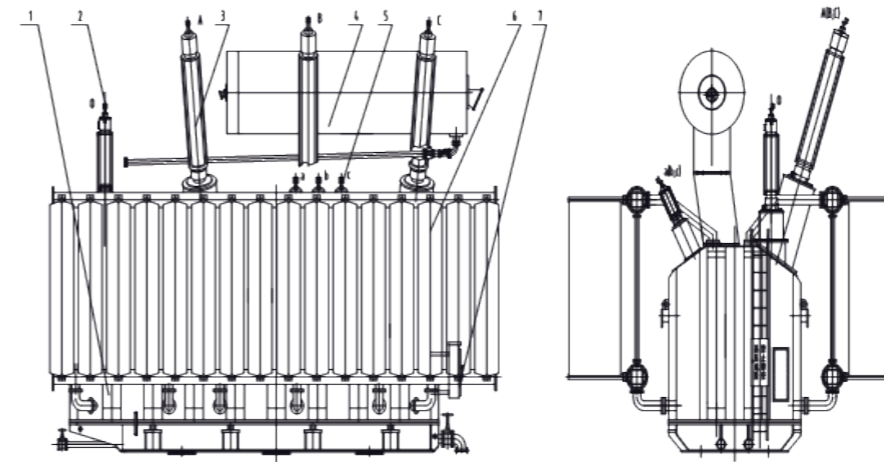
# Technical Parameter

S22-220kV 31500kVA-420000kVA three phase double winding non excitation voltage regulating power transformer (primary energy efficiency)

Rated Capacity (kVA)	Voltage combination and tapping range		Vector Group	No load Loss (KW)	Load Loss (KW)	No load Current (%)	Impedance(%)	
	HV (kV)	LV (kV)					Step Up	Step Down
31500	220 ± 2 × 2.5% 242 ± 2 × 2.5%	6.3	YNd11	15.0	115	0.47	12 ~ 14	
40000				18.0	134	0.48		
50000				21.0	161	0.44		
63000				25.0	188	0.43		
75000				29.0	213	0.41		
90000				34.0	246	0.37		
120000				41.0	304	0.37		
150000				49.0	360	0.34		
160000				51.0	378	0.33		
180000				56.0	413	0.31		
240000		70.0		484	0.28			
300000		83.0		577	0.25			
360000		95		662	0.25			
370000		97		675	0.26			
400000		103		716	0.24			
420000		106		742	0.24			

Note:

- Transformers with rated capacity less than 31500kVA and other voltage combinations can also be provided according to requirements;
- Transformer with low voltage of 35kV can also be provided according to requirements;
- The non tapping structure is preferred, and taps can be set if required;
- When the annual average load rate of transformer is between 45% and 50%, the highest operation efficiency can be obtained by using the loss value in the table.



- Active Part
- HV Neutral Bushing
- HV Bushing
- Oil Conservator
- LV Bushing
- Radiator (air cooler)
- Control Cabinet

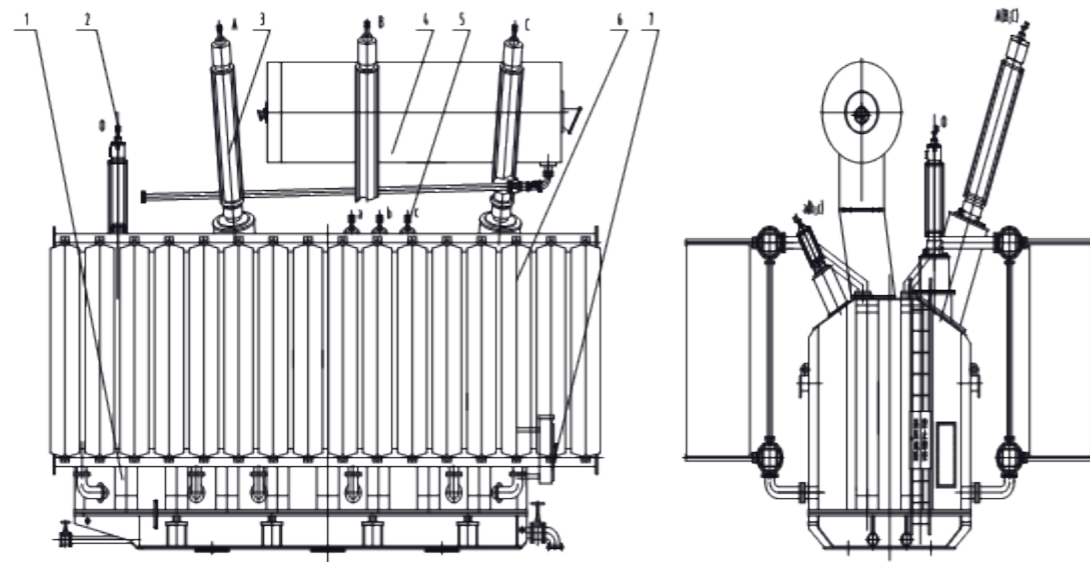


S22-220kV 31500kVA~240000kVA three phase double winding low voltage of 66kV non excitation voltage regulating power transformer (primary energy efficiency)

Rated Capacity (kVA)	Voltage combination and tapping range		Vector Group	No load Loss (KW)	Load Loss (KW)	No load Current (%)	Impedance(%)
	HV (kV)	LV (kV)					
31500	220 ± 2 × 2.5% 230 ± 2 × 2.5%	63 66 69	YNd11	17.0	129	0.60	12-14
40000				20.0	150	0.62	
50000				23.0	180	0.55	
63000				28.0	211	0.55	
90000				36.0	275	0.50	
120000				45.0	330	0.51	
150000				53.0	387	0.45	
180000				61.0	438	0.46	
240000				75.0	543	0.41	

Note:

1. The no-load tap structure is preferred, and the tap can be set if the operation requires;
2. When the annual average efficiency of transformer is between 45% and 50%, the highest operation efficiency can be obtained by using the loss value in the table.



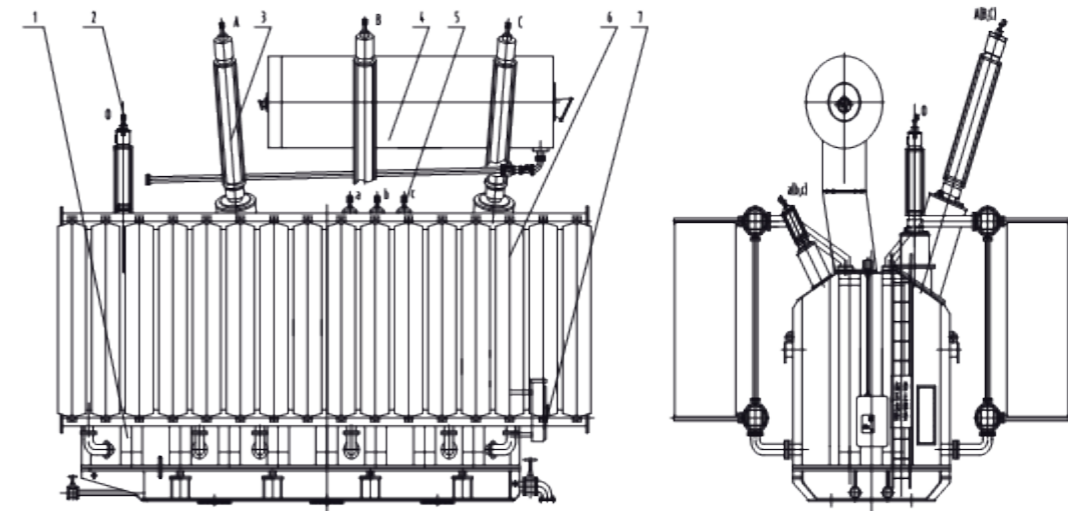
- |                       |                          |
|-----------------------|--------------------------|
| 1. Active Part        | 5. LV Bushing            |
| 2. HV Neutral Bushing | 6. Radiator (air cooler) |
| 3. HV Bushing         | 7. Control Cabinet       |
| 4. Oil Conservator    |                          |

SZ22-220kV 31500kVA~240000kVA three phase double winding OLTC power transformer (primary energy efficiency)

Rated Capacity (kVA)	Voltage combination and tapping range		Vector Group	No load Loss (KW)	Load Loss (KW)	No load Current (%)	Impedance(%)
	HV (kV)	LV (kV)					
31500	220 ± 8 × 1.25% 230 ± 8 × 1.25%	6.3	YNd11	20.0	115	0.48	12 ~ 14
40000		6.6		23.0	134	0.5	
50000		10.5		28.0	161	0.45	
63000		21		33.0	188	0.45	
90000		36		42.0	246	0.38	
120000		37		51.0	304	0.38	
150000		38.5		60.0	360	0.35	
180000		10.5		70.0	413	0.32	
120000		21		53.0	303	0.38	
150000		36		62.0	355	0.37	
180000		37		73.0	406	0.32	
240000		38.5		91.0	504	0.25	
120000		66		53.0	303	0.38	
150000		69		62.0	355	0.37	
180000				73.0	406	0.32	
240000				91.0	504	0.25	

Note:

1. Transformer with low voltage of 35kV can also be provided according to requirements;
2. When the annual average load rate of transformer is about 50%, the highest operation efficiency can be obtained by using the loss value in the table.



- |                       |                          |
|-----------------------|--------------------------|
| 1. Active Part        | 5. LV Bushing            |
| 2. HV Neutral Bushing | 6. Radiator (air cooler) |
| 3. HV Bushing         | 7. Control Cabinet       |
| 4. Oil Conservator    |                          |

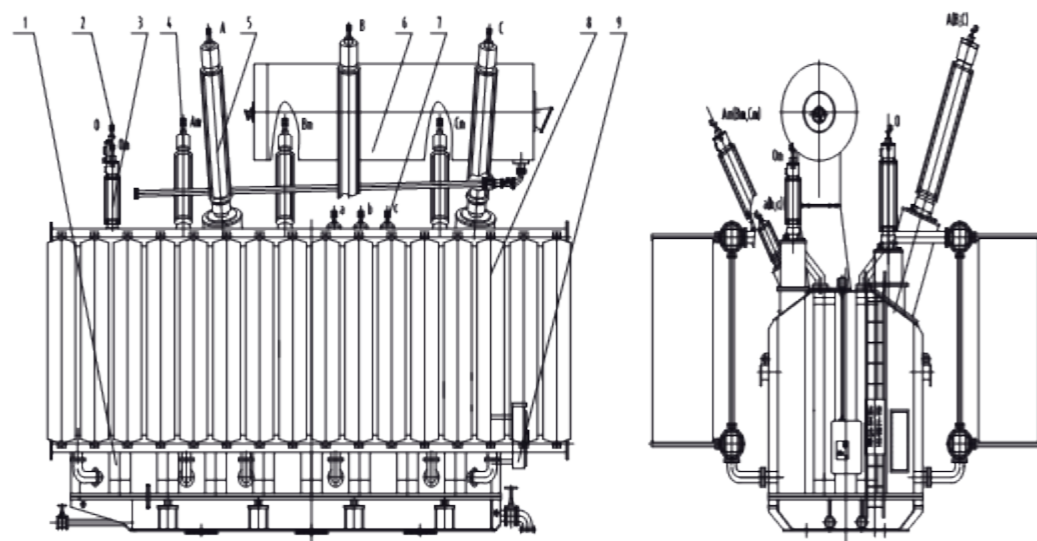
# Technical Parameter

SSZ18-220kV 31500kVA-240000kVA three phase three winding OLTC power transformer (energy efficiency three)

Rated Capacity (kVA)	Voltage combination and tapping range			Vector Group	No load Loss (KW)	Load Loss (KW)	No load Current (%)	Capacity Allocation(%)	Impedance(%)
	HV (kV)	MV (kV)	LV (kV)						
31500	220 ± 8 × 1.25%	69 115 121	6.3	YNyn0d11	28.0	145	0.77	100/100/100 100/50/100 100/100/50	HV-MV 12~14 HV-LV 22~24 MV-LV 7~9
40000			6.6		33.0	174	0.73		
50000			10.5		38.0	205	0.74		
63000			21		45.0	244	0.69		
90000			36		58.0	316	0.54		
120000			37		74.0	390	0.54		
150000			38.5		86.0	463	0.48		
180000			10.5		99.0	568	0.48		
240000			21		123	704	0.43		

Note:

1. The data listed in the table are applicable to step-down structure products, and step-up structure products can also be provided as required;
2. Transformer with low voltage of 35kV can also be provided according to requirements;
3. When the annual load rate of transformer is between 45% and 50%, the highest operation efficiency can be obtained by using the loss value in the table.



- |                       |                    |                          |
|-----------------------|--------------------|--------------------------|
| 1. Active Part        | 4. MV Bushing      | 7. LV Bushing            |
| 2. HV Neutral Bushing | 5. HV Bushing      | 8. Radiator (air cooler) |
| 3. MV Neutral Bushing | 6. Oil Conservator | 9. Control Cabinet       |

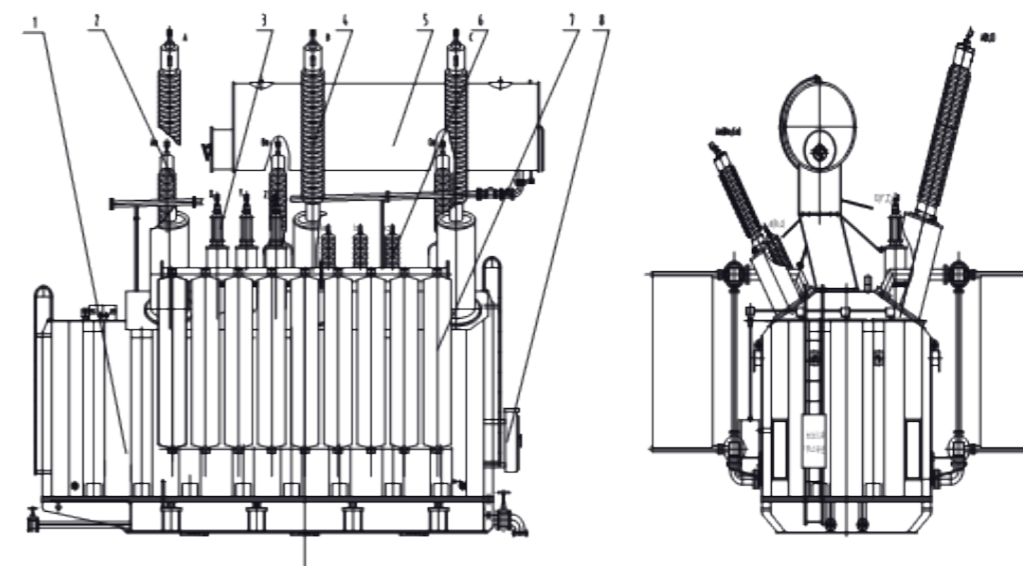
# Technical Parameter

OSSZ18-220kV 31500kVA-240000kVA three phase three winding OLTC autotransformer (energy efficiency three)

Rated Capacity (kVA)	Voltage combination and tapping range			Vector Group	No load Loss (KW)	Load Loss (KW)	No load Current (%)	Capacity Allocation(%)	Impedance(%)
	HV (kV)	MV (kV)	LV (kV)						
31500	220 ± 8 × 1.25%	115 121	6.3	YNa0d11	16.0	97	0.54	100/100/50	HV-MV 8~11 HV-LV 28~34 MV-LV 18~24
40000			6.6		19.0	119	0.52		
50000			10.5		22.0	142	0.48		
63000			21		26.0	170	0.48		
90000			36		32.0	222	0.41		
120000			37		41.0	277	0.41		
150000			38.5		48.0	329	0.34		
180000			10.5		54.0	378	0.34		
240000			21		66.0	487	0.29		

Note:

1. The data listed in the table are applicable to the products with reduced pressure structure;
2. Transformer with low voltage of 35kV can also be provided according to requirements;
3. When the annual load rate of transformer is between 40% and 45%, the highest operation efficiency can be obtained by using the loss value in the table.



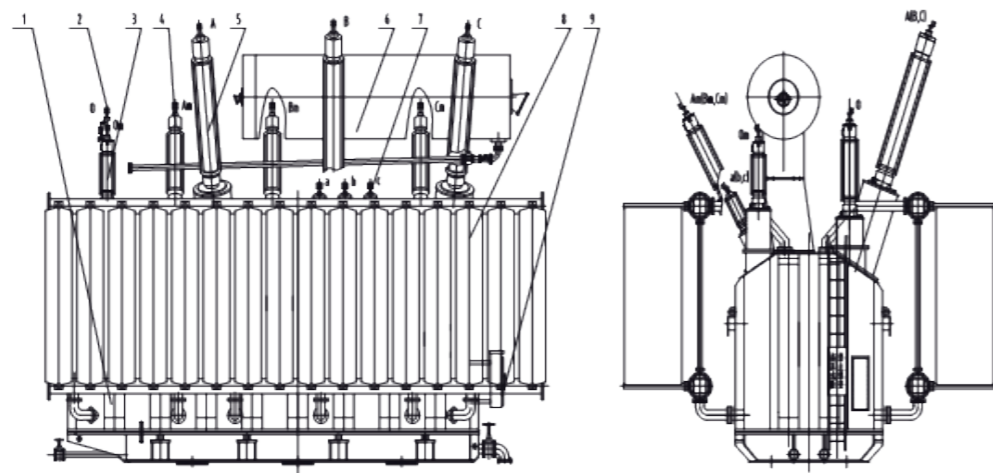
- |                       |                          |
|-----------------------|--------------------------|
| 1. Active Part        | 5. Oil Conservator       |
| 2. MV Bushing         | 6. LV Bushing            |
| 3. MV Neutral Bushing | 7. Radiator (air cooler) |
| 4. HV Bushing         | 8. Control Cabinet       |

SS18-220kV 31500kVA-300000kVA three phase three winding non excitation voltage regulating power transformer (energy efficiency three)

Rated Capacity (kVA)	Voltage combination and tapping range			Vector Group	No load Loss (KW)	Load Loss (KW)	No load Current (%)	Impedance(%)									
	HV (kV)	MV (kV)	LV (kV)					Step Up	Step Down								
										31500	220 ± 2 *2.5%	69	6.3	26.0	1145	0.69	HV-MV
40000	6.6	30.0	174	0.60													
50000	10.5	35.0	2050	0.53													
63000	21	42.0	244	0.54													
90000	36	54.0	316	0.48													
120000	37	67.0	390	0.48													
150000	38.5	80.0	463	0.41													
180000	10.5	115	13.8	54.0	316	0.48	HV-LV	MV-LV									
240000	13.8		67.0						390	0.48							
300000	15.75		80.0						463	0.41							
	21		90.0						527	0.41							
	21		112.0						650	0.34							
	36		133						767	0.30							
	37																
	38.5																

Note:

- The capacity distribution of the load in the table is (100 / 100 / 100%); The capacity distribution of boost structure can be (100 / 50 / 100%); The capacity allocation of Buck structure can be (100 / 100 / 50)% or (100 / 50 / 100)%.
- Transformers with rated capacity less than 31500kV. A and other voltage combinations can also be provided according to requirements;
- The transformer with low voltage of 35kV can also be provided;
- The non tapping structure is preferred, and taps can be set if required; 5. When the annual average load rate of transformer is about 45%, the highest operation efficiency can be obtained by using the loss value in the table.



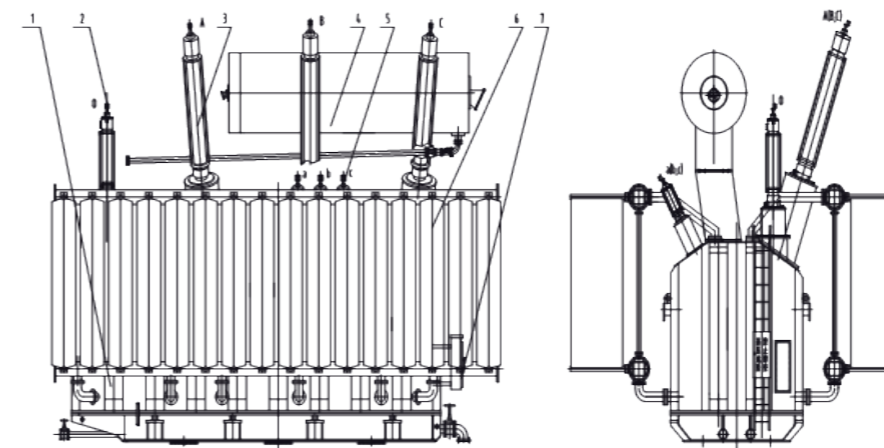
- Active Part
- HV Neutral Bushing
- MV Neutral Bushing
- MV Bushing
- HV Bushing
- Oil Conservator
- LV Bushing
- Radiator (air cooler)
- Control Cabinet

S18-220kV 31500kVA-420000kVA three phase double winding non excitation voltage regulating power transformer (energy efficiency three)

Rated Capacity (kVA)	Voltage combination and tapping range		Vector Group	No load Loss (KW)	Load Loss (KW)	No load Current (%)	Impedance(%)											
	HV (kV)	LV (kV)					Step Up	Step Down										
									31500	220 ± 2 × 2.5%	6.3	22.0	122	0.68	12 ~ 14			
40000	6.6	26.0	142	0.69														
50000	10.5	31.0	170	0.64														
63000		37.0	199	0.64														
75000		42.0	225	0.59														
90000	10.5	49.0	259	0.54														
120000	13.8	60.0	321	0.54														
150000	242 ± 2 × 2.5%	10.5	71.0	380	0.49	12 ~ 14												
160000								13.8	74.0								399	0.48
180000								15.75	82.0								436	0.45
240000								18	102.0	511	0.41							
300000								20	121.0	609	0.37							
360000								15.75	18	138	698	0.37						
370000													18	141	713	0.37		
400000													20	150	755	0.34		
420000														154	783	0.34		

Note:

- Transformers with rated capacity less than 31500kVA and other voltage combinations can also be provided according to requirements;
- Transformer with low voltage of 35kV can also be provided according to requirements;
- The non tapping structure is preferred, and taps can be set if required;
- When the annual average load rate of transformer is between 45% and 50%, the highest operation efficiency can be obtained by using the loss value in the table.



- Active Part
- HV Neutral Bushing
- HV Bushing
- Oil Conservator
- LV Bushing
- Radiator (air cooler)
- Control Cabinet



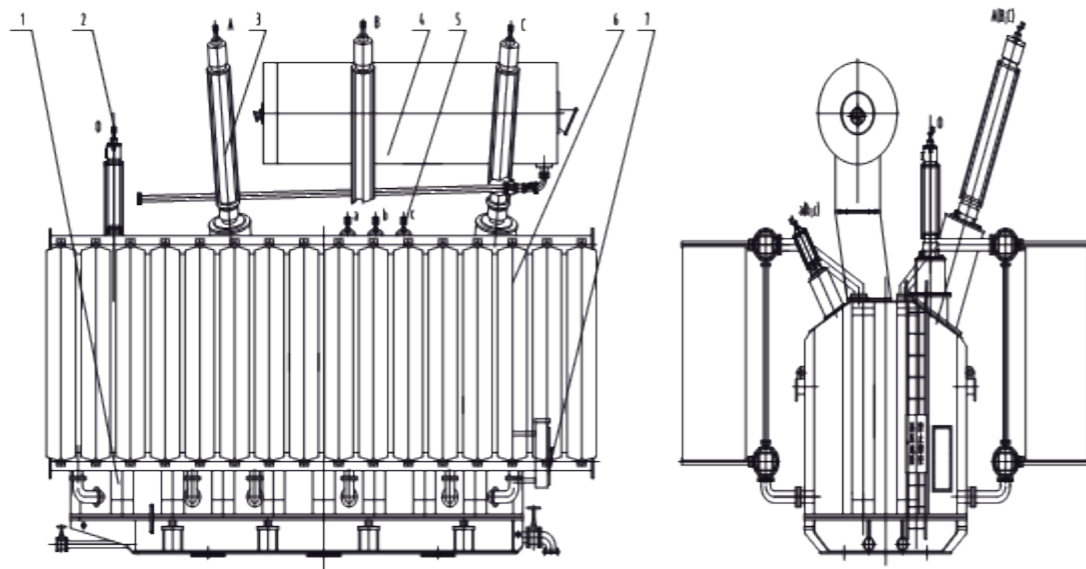
# Technical Parameter

S18-220kV 31500kVA-240000kVA three phase double winding low voltage of 66kV non excitation voltage regulating power transformer (energy efficiency three)

Rated Capacity (kVA)	Voltage combination and tapping range		Vector Group	No load Loss (KW)	Load Loss (KW)	No load Current (%)	Impedance(%)
	HV (kV)	LV (kV)					
31500	220 ± 2 × 2.5% 230 ± 2 × 2.5%	63 66 69	YNd11	24.0	136	0.85	12 ~ 14
40000				29.0	159	0.90	
50000				34.0	190	0.82	
63000				40.0	222	0.79	
90000				53.0	291	0.74	
120000				65.0	349	0.74	
150000				78.0	409	0.67	
180000				88.0	463	0.66	
240000				109.0	573	0.59	

Note:

1. The no-load tap structure is preferred, and the tap can be set if the operation requires;
2. When the annual average efficiency of transformer is between 45% and 50%, the highest operation efficiency can be obtained by using the loss value in the table.



- |                       |                          |
|-----------------------|--------------------------|
| 1. Active Part        | 5. LV Bushing            |
| 2. HV Neutral Bushing | 6. Radiator (air cooler) |
| 3. HV Bushing         | 7. Control Cabinet       |
| 4. Oil Conservator    |                          |

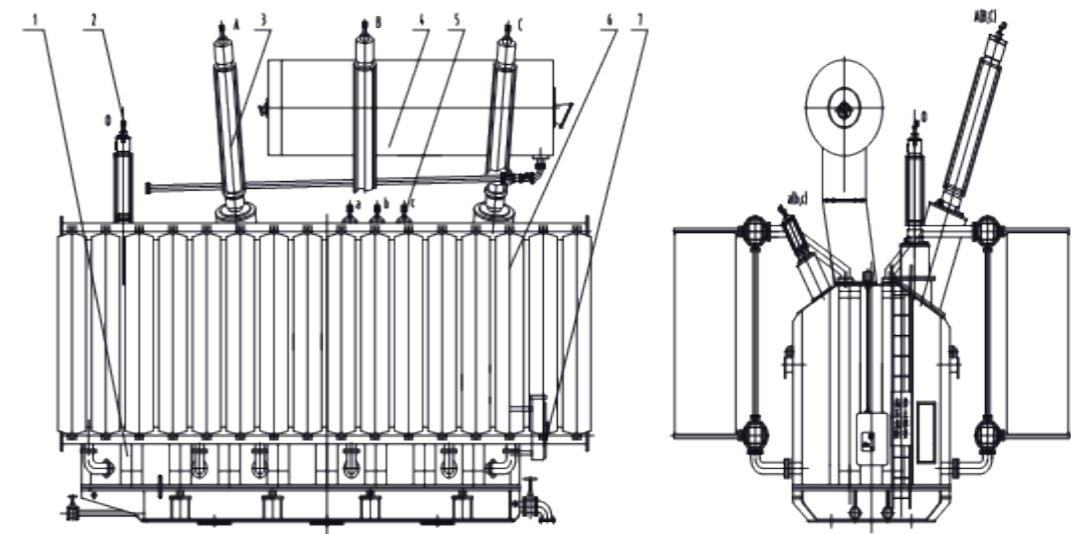
# Technical Parameter

SZ18-220kV 31500kVA-240000kVA three phase double winding OLTC power transformer (energy efficiency three)

Rated Capacity (kVA)	Voltage combination and tapping range		Vector Group	No load Loss (KW)	Load Loss (KW)	No load Current (%)	Impedance(%)	
	HV (kV)	LV (kV)						
31500	220 ± 8 × 1.25% 230 ± 8 × 1.25%	6.3	YNd11	24.0	122	0.68	12 ~ 14	
40000		6.6		29.0	142	0.7		
50000		10.5		34.0	170	0.64		
63000		21		40.0	199	0.64		
90000		36		51.0	259	0.55		
120000		37		63.0	321	0.56		
150000		38.5		74.0	380	0.51		
180000				86.0	436	0.47		
120000				66	65.0	320		0.55
150000				69	77.0	374		0.53
180000					90.0	428		0.47
240000					112	532		0.37

Note:

1. Transformer with low voltage of 35KV can also be provided according to requirements;
2. When the annual average load rate of transformer is about 50%, the highest operation efficiency can be obtained by using the loss value in the table.



- |                       |                          |
|-----------------------|--------------------------|
| 1. Active Part        | 5. LV Bushing            |
| 2. HV Neutral Bushing | 6. Radiator (air cooler) |
| 3. HV Bushing         | 7. Control Cabinet       |
| 4. Oil Conservator    |                          |